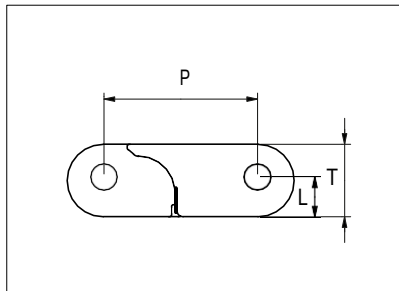
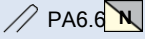



Plastic Modular Belt

 Series **uni CSB** Type **C**


Straight running belt
 Nominal pitch: 50.8 mm (2.00 in)
 Surface type: Flat
 Surface opening: Closed
 Backflex radius: 100 mm (3.94 in)
 Pin diameter: 8.0 mm (0.31 in)

Belt material & color	POM NL K		mm	in		mm	in
		P (Nominal)	50.8	2.00	T	24.0	0.94
Pin and lock material & color	 						
		L	13.2	0.52	-	-	-

Non standard material and color: See uni Material and Color Overview.

Safety edges with orange or yellow edge links mounted on alternating pitches along both belt edges are optional.

Alternative pin and lock systems and materials: Contact Customer Service.

Belt width		Permissible tensile force (Belt/pin material)				Belt weight (Belt/pin material)				**Min No drive sprocket per shaft	Number of wear strips (min no)	
		POM NL/PA66		POM NL/SS		POM NL/PA66		POM NL/SS			***Carry (pcs)	***Return (pcs)
mm	in	N	lbf	N	lbf	Kg/m	lb/ft	Kg/m	lb/ft			
102	4.0	9180	2064	10200	2293	1.9	1.28	2.6	1.74	2	2	2
153	6.0	13770	3095	15300	3439	2.9	1.92	3.9	2.61	2	2	2
305	12.0	27450	6171	30500	6856	5.7	3.83	7.7	5.21	3	3	2
458	18.0	41220	9266	45800	10296	8.6	5.76	11.6	7.82	4	4	2
610	24.0	54900	12342	61000	13713	11.4	7.67	15.5	10.41	5	5	3
763	30.0	68670	15437	76300	17152	14.3	9.59	19.4	13.02	6	6	3
915	36.0	82350	18512	91500	20569	17.1	11.50	23.2	15.62	7	7	4
1068	42.0	96120	21608	106800	24009	20.0	13.42	27.1	18.23	8	8	4
1220	48.0	109800	24683	122000	27426	22.8	15.33	31.0	20.83	9	9	5
1373	54.1	123570	27779	137300	30865	25.7	17.25	34.9	23.44	10	10	5
1525	60.0	137250	30854	152500	34282	28.5	19.17	38.7	26.03	11	11	6
1678	66.1	151020	33949	167800	37721	31.4	21.09	42.6	28.64	12	12	6

Additional standard belt widths are available in steps of 152.5 mm (6.00 in). Additional non-standard belt widths are available in steps of 25.4 mm (1.00 in).

2898	114.1	260820	58632	289800	65147	54.2	36.42	73.6	49.47	20	20	10
------	-------	--------	-------	--------	-------	------	-------	------	-------	----	----	----


Additional standard belt widths are available in steps of 152.5 mm (6.00 in). Additional non-standard belt widths are available in steps of 25.4 mm (1.00 in).

4880	192.1	439200	98732	488000	109702	91.3	61.33	124.0	83.30	33	33	17
------	-------	--------	-------	--------	--------	------	-------	-------	-------	----	----	----

General belt tolerance is +0/-0.4% at 23°C/73°F and 50% RH. For exact belt width contact Customer Service. Non standard belt width on request.

**Max. Load per Drive Sprocket. Belt material: NL 6000 N (1349 lbf), PP 4000 N (899 lbf)

***Max. Spacing between wear strips, Carry: 152.0 mm (6.00 in); Return: 304.0 mm (12.00 in).

 = Single Link

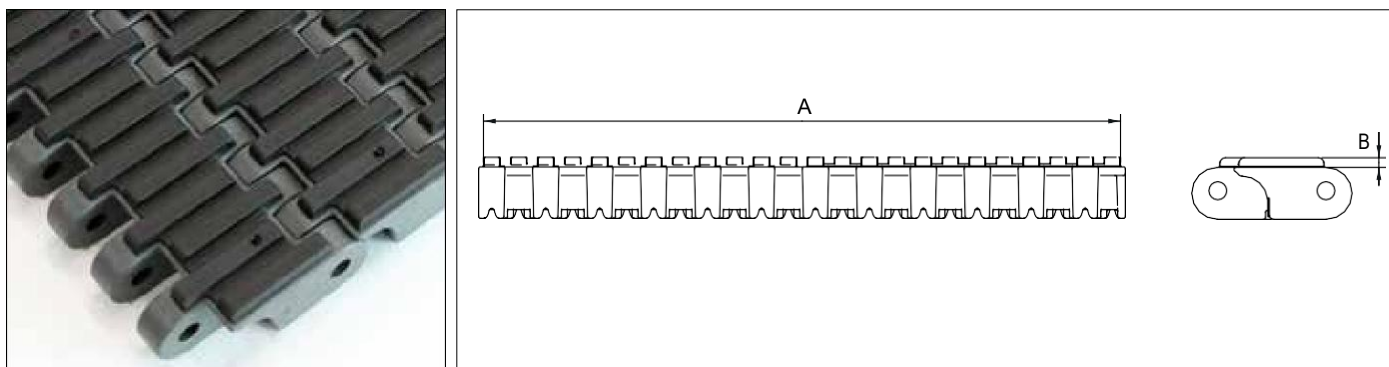


Distribué par :



Accessories

NON STANDARD – Rubber Top

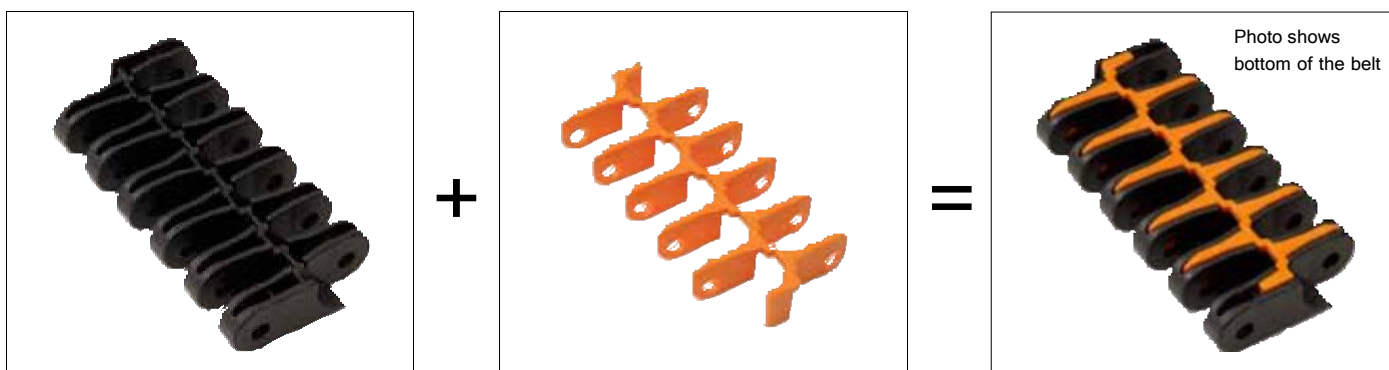


Type	Recommended belt material & color	Recommended rubber material & color	A		B		Link size	Width	
			mm	in	mm	in		mm	in
Flat Rib	PP DG	03 K	300.0	11.81	4.5	0.18	K1200	304.8	12.00

Backflex radius when flights are used: 200 mm (7.87 in).

Accessories

Top/Bottom Insert



Type	Insert material & color	Weight	
		kg/m ²	lb/ft ²
Wheel Plate	POM DK O	4.7	0.97

Contact area/wear surface of belt will increase from 24% to 47% by the use of inserts.

Accessories

Top/Bottom Insert

EC insert in uni CSB 8% Rough type can be build in to uni CSB C to create an electrical conductive belt.



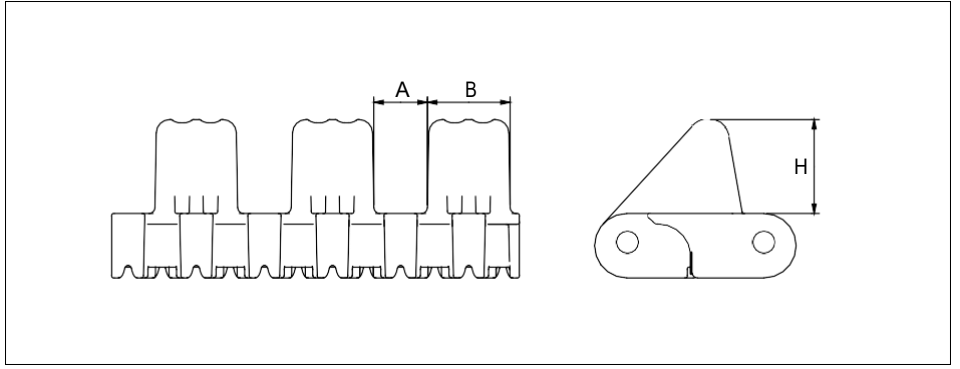
Type	Insert material & color	Weight	
		kg/m ²	lb/ft ²
Electrical Conductive	POX-FREC	5.3	1.09

Distribué par :



Accessories

Flight

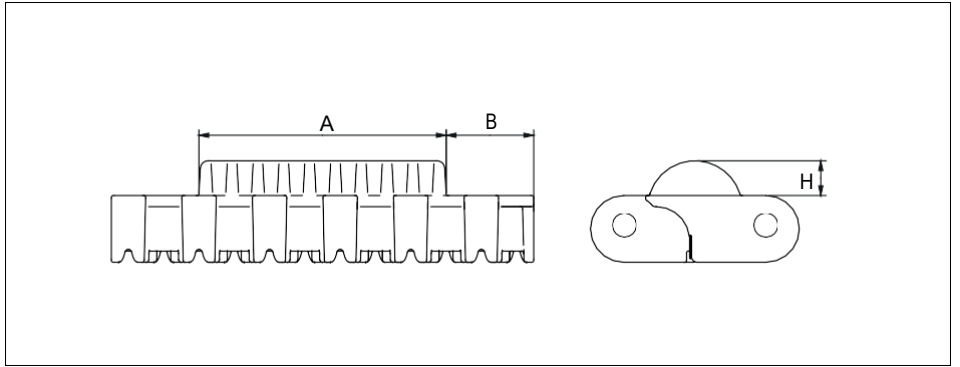


Type	Flight material & color	A		B		H		Link size	Width	
		mm	in	mm	in	mm	in		mm	in
Car Pusher	POM NL o	20.0	0.79	31.0	1.22	35.0	1.38	K600	152.4	6.00

Backflex radius when flights are used: 200 mm (7.87 in).

Accessories

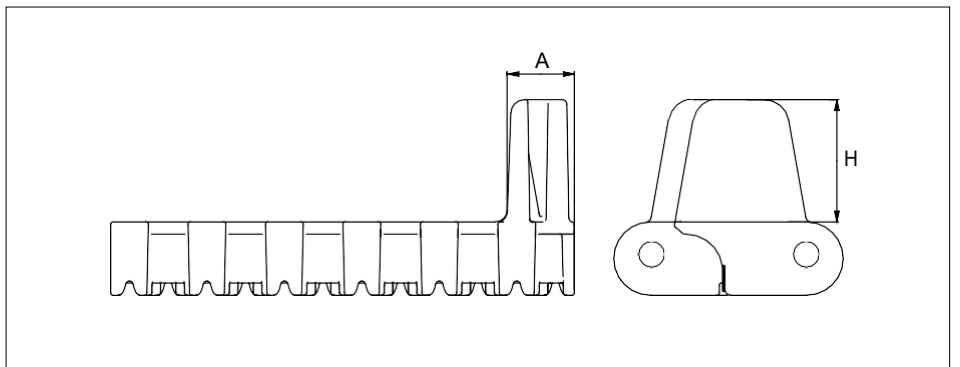
Flight



Type	Flight material & color	A		B		H		Link size	Width	
		mm	in	mm	in	mm	in		mm	in
Curved Flight	POM NL y	89.0	3.50	31.5	1.24	12.5	0.49	K600	152.4	6.00

Accessories

Side Guard



Type	Flight material & color	A		H		Link size	Width	
		mm	in	mm	in		mm	in
Side Guard	POM NL o	23.0	0.91	40.0	1.57	K600	152.4	6.00

Backflex radius when side guards are used: 115 mm (4.53 in).



Distribué par :

Comptoir de Pièces Industrielles et Mécaniques

COPIMEC Sarl au Capital de 8.000.000,00 dh / Adresse: N°237, Rue Oued Ziz - Quartier Industriel - Teldi - AGADIR - MAROC
 TEL : +212 5 28 84 75 61 - +212 5 28 84 75 62 - FAX : +212 5 28 84 73 00 E-mail: contact@copimec.com Web: www.copimec.com

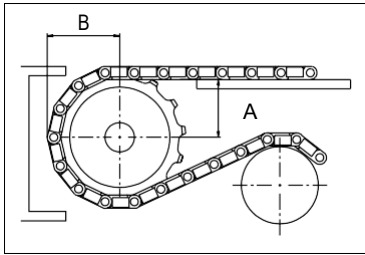
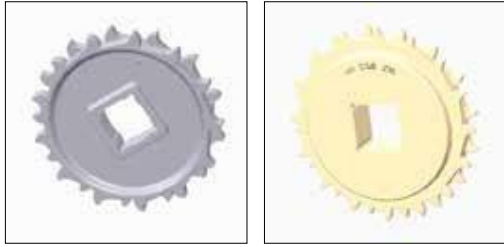
Sprocket

No of teeth	Bore size							Overall diameter		Pitch-diameter		Hub-diameter		*A-dimension		B-dimension		Single row/Two way	Double row/Two way	Molded PA6	Machined PA6 N
	Pilot bore	in	1.57	2.36	2.50	3.54	3.54														
	mm	40.0	60.0	63.5	90.0	120.0	mm	in	mm	in	mm	in	mm	in							
Z12	x			■		■		197.3	7.77	197.0	7.76	150.0	5.91	82.0	3.23	109.4	4.31		x	x	
Z16	x			■		■	■	263	10.35	261.4	10.29	200.0	7.87	115.0	4.53	141.5	5.57		x	x	x

*A-dimension for automotive applications use A = (B-23.0 mm/0.91 in).

Non standard material and color:
See uni Material and Color Overview.

■ Molded sprocket ■ Machined sprocket



Other sprocket sizes are available upon request.
Two-part sprockets are available upon request.
Round bores are always delivered with keyway.
Other bore sizes are available upon request.
uni Retainer Rings: See uni Retainer Ring data sheet
Width of single tooth = 10.0 mm (0.39 in)
Width of sprocket = 50.0 mm (1.98 in)

Max load per sprocket shown does not take bore size into account.
Please also ensure that sufficient size shaft is chosen for corresponding load.

For correct sprocket position: See uni Assembly Instructions for uni CSB.
For more detailed sprocket information, contact Customer Service.

Ammeraal beltech - unichains - copimec